



**Pump Model - version**

K 80/300 T - N.3.- -

Company Name  
Contact  
Telephone  
FAX  
E-Mail address

Receiver

From

Serial Number

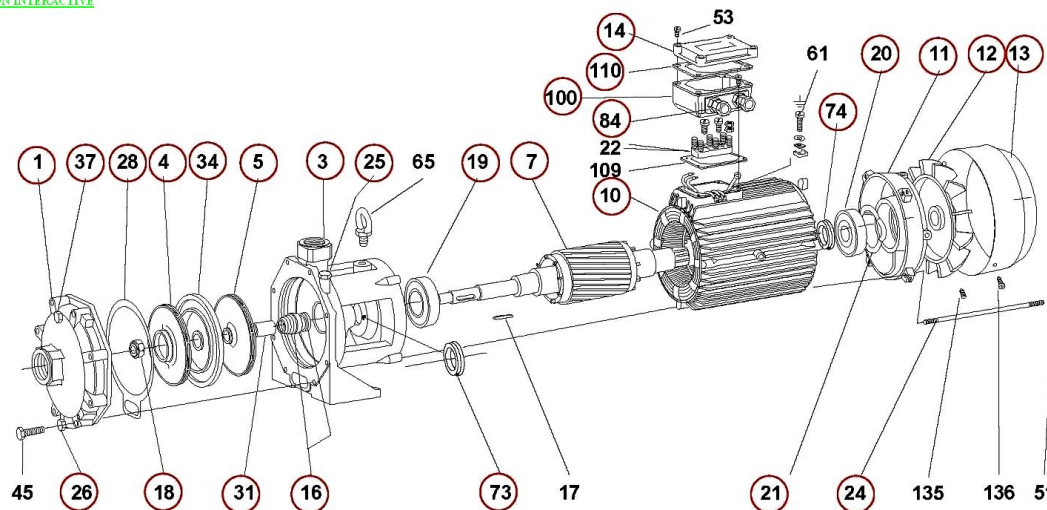
Attention: check the correspondence  
with the serial number of the pump.

K 80/300 T - N.3.- - @ 102120090\_a

K 80/300 T @ 102120090

Item	Quant	Item no.	Description	Unit pr.
1	1	148120400	SP.P. PUMP BODY	On req.
10	1	130642220	MOTOR MEC132 H120 400/50-60 EUE	On req.
100	1	164030070	MEC132 TERM-BOX KIT . IP65	On req.
11	1	164050000	MEC132 MOTOR COVER	On req.
110	1	168060040	GASK. X TERM-BOX COVER .MEC132-SIZE.IP65	On req.
12	1	160730040	&FAN MEC132 W/KEY	On req.
13	1	164200040	MEC132 FUN COVER ZNT	On req.
14	1	164030050	MEC132 TER.-BOX COVER IP65	On req.
16	1	148621160	COMPLETE MECH.SEAL D.25 UNITEN3	On req.
18	1	002520669	NUT ES LOCK..M18 ZNT 8 UNI7474	On req.
19	1	002310012	6309-2Z-C3 D.45X100X25 BEARING	On req.
20	1	002310010	BEARING	On req.
21	1	002570005	LMKAS D.90A THRUST WASHER	On req.
24	4	167100040	MEC132 D.8X 255 MOTOR TIE ROD	On req.
25	1	168420010	PRIMING PLUG 1/4" BRASS	On req.
26	1	168420010	PRIMING PLUG 1/4" BRASS	On req.
28	1	168060080	PUMP BODY GASKET	On req.
3	1	148120410	SP. P. SUPPORT-BODY	On req.
31	1	162520170	SHAFT SEAL SPACER	On req.
34	1	161050130	INTERMEDIATE COVER	On req.
37	1	168420010	PRIMING PLUG 1/4" BRASS	On req.
4	1	150760660	IMPELLER DX D.190 ULTEM	On req.
5	1	150760670	IMPELLER SX D.190 ULTEM	On req.
7	1	145001130	SP.P. SHAFT W/ROTOR .	On req.
73	1	002210568	V-RING	On req.
74	1	002210566	V-RING	On req.
84	1	002740186	CABLE GLAND	On req.

NON INTERACTIVE



Project	Project ID	Created by	Created on 2011-01-07	Last update
---------	------------	------------	--------------------------	-------------